



# Modular Cooking Range Line 700XP Two Wells Electric Fryer Top 7 liter

ITEM # \_\_\_\_\_

MODEL # \_\_\_\_\_

NAME # \_\_\_\_\_

SIS # \_\_\_\_\_

AIA # \_\_\_\_\_



371076 (E7FREH2B00)

7+7-lt electric fryer top with 2 "V" shape wells (external heating elements) and 2 baskets

## Short Form Specification

Item No. \_\_\_\_\_

To be installed on open base installations, bridging supports or cantilever systems. High efficiency infrared heating elements (10.8kW) attached to the outside of the wells. Deep drawn V-shaped well. Oil drains through a tap on the front. Exterior panels in stainless steel with Scotch Brite finish. One piece pressed work top in 1.5 mm thick stainless steel. Right-angled side edges to allow flush-fitting junction between units.

## Main Features

- Unit to be mounted on open base cupboards, bridging supports or cantilever systems.
- Deep drawn V-Shaped wells.
- High efficiency infrared heating elements are attached to the outside of the wells.
- Thermostatic regulation of oil temperature up to a maximum of 185 °C.
- Overheat protection thermostat as standard on all units.
- Oil drains through a tap positioned on the front the wells.
- All major compartments located in front of unit for ease of maintenance.
- IPx4 water protection.
- Optional portable oil quality monitoring tool (code 9B8081) for efficient oil management.
- Suitable for countertop installation.

## Construction

- Interior of well with rounded corners for ease of cleaning.
- All exterior panels in Stainless Steel with Scotch Brite finishing.
- One piece pressed 1.5 mm work top in Stainless steel.
- Model has right-angled side edges to allow flush fitting joints between units, eliminating gaps and possible dirt traps.

## Sustainability



- This model is compliant with Swiss Energy Efficiency Ordinance (730.02).

## Included Accessories

- 2 of Basket for 7lt top and free PNC 921608 standing fryers

## Optional Accessories

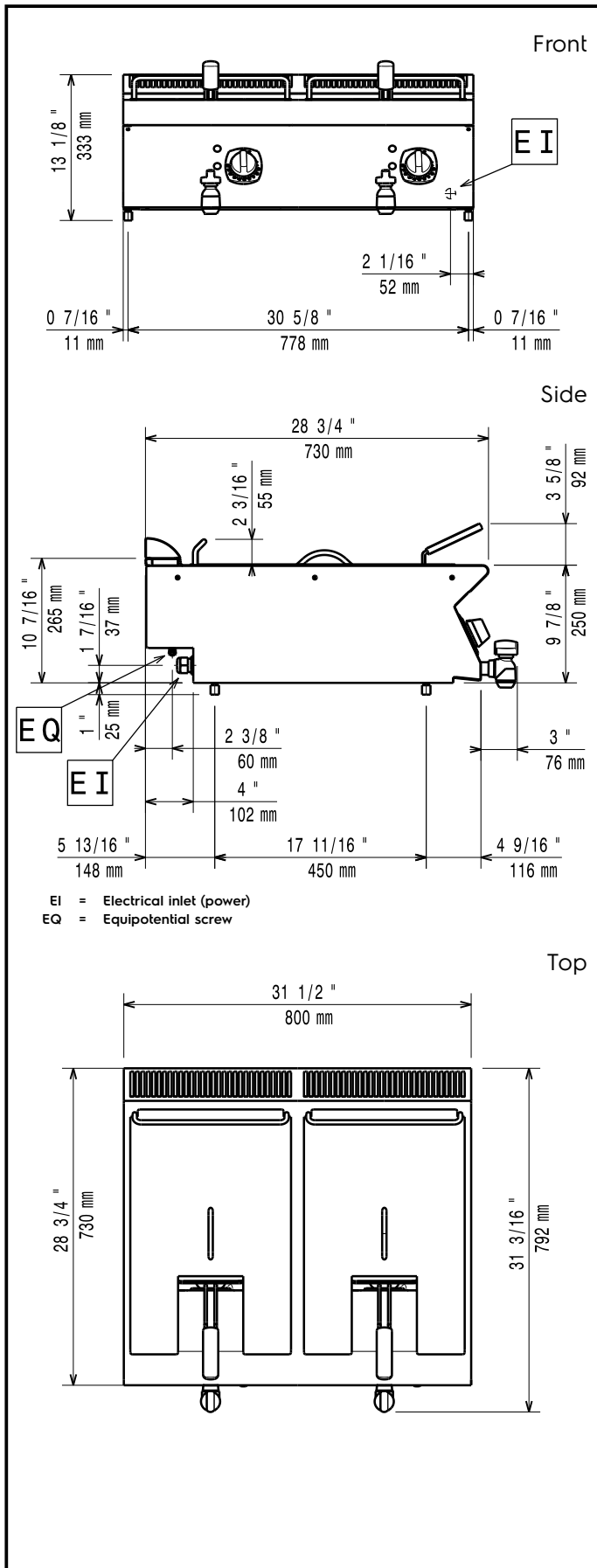
- Junction sealing kit PNC 206086
- Support for bridge type installation, 800mm PNC 206137
- Support for bridge type installation, 1000mm PNC 206138
- Support for bridge type installation, 1200mm PNC 206139
- Support for bridge type installation, 1400mm PNC 206140
- Support for bridge type installation, 1600mm PNC 206141
- Chimney upstand, 800mm PNC 206304
- Right and left side handrails PNC 206307
- Back handrail 800mm, Marine PNC 206308

APPROVAL: \_\_\_\_\_



Experience the Excellence  
www.electroluxprofessional.com  
ELUX\_EMAIL

- 2 drawers for open base cupboards, 100mm height PNC 206318
- Chimney grid net, 400mm (700XP/900) PNC 206400
- 2 side covering panels for top appliances PNC 216277
- Basket for 7lt top and free standing fryers PNC 921608



### Electric

Supply voltage: 380-400 V/3N ph/50-60 Hz  
 Total Watts: 10.8 kW

### Key Information:

If appliance is set up or next to or against temperature sensitive furniture or similar, a safety gap of approximately 150 mm should be maintained or some form of heat insulation fitted.

**Usable well dimensions (width):** 240 mm  
**Usable well dimensions (height):** 235 mm  
**Usable well dimensions (depth):** 380 mm  
**Well capacity:** 5.5 lt MIN; 7 lt MAX  
**Thermostat Range:** 105 °C MIN; 185 °C MAX  
**Net weight:** 40.5 kg  
**Shipping weight:** 50 kg  
**Shipping height:** 520 mm  
**Shipping width:** 820 mm  
**Shipping depth:** 860 mm  
**Shipping volume:** 0.37 m<sup>3</sup>  
**[NOT TRANSLATED]** EFE72M07